



**Materials:**

Pin :Brass,

Plating:

Tin plated :1.25u"m/50u"nickel,5um/200u"Tin

Gold plated:1.25u"m/50u"nickel,full gold

Insulator body(black):Glass filled polyester Valox UL94V-0

Rated Current:3.0AMP

Contact Resistance:20mΩ Max

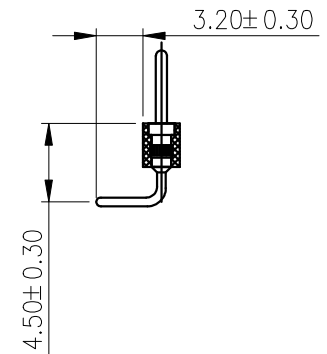
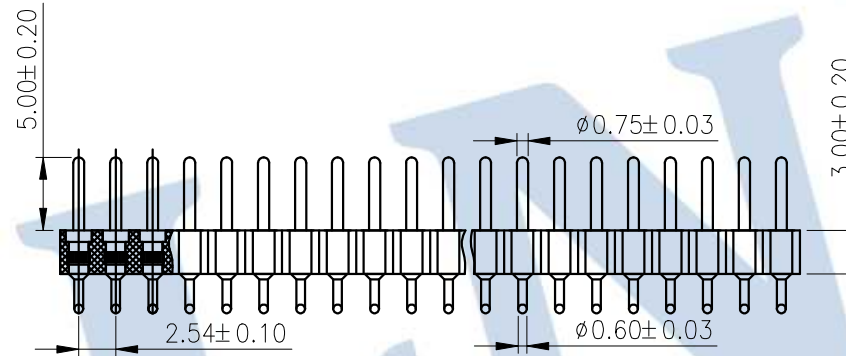
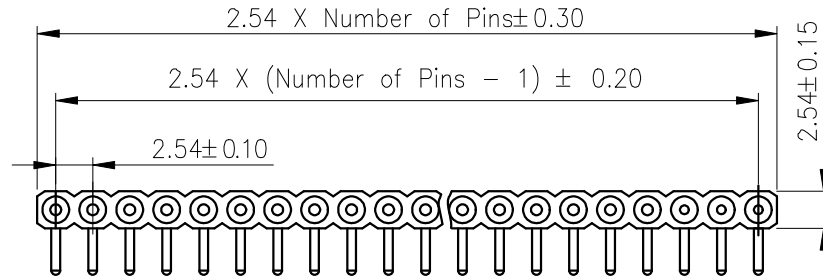
Withstand Voltage:1000V AC/DC

Insulation Resistance:1000MΩ Min

**Mechanical:**

Operating temperature :-40°C to +105°C

Soldering temperature:260°C,10s max



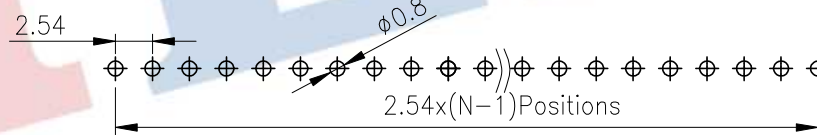
**Ordering Information**

3610-30 1 XX G0 R 137 0X

No. of Pins  
1-40Pin

Contact Plating  
SN: Tin  
G0: Gold Flash  
G2: 2U" Gold  
G3: 3U" Gold  
G4: 5U" Gold  
G5: 10U" Gold  
S0: Gold Flash/Tin  
Standard: G0

Length  
137=13.76mm



Recommended P.C.B Layout (Top Side)  
(PCB BOARD TOLERANCE ± 0.05)

				OPERATION		DRAW	yiyusheng	14.04.01	SCALE	FIT	<b>JILN</b> ® 深圳市锦凌电子有限公司 SHENZHEN JINLING ELECTRONICS CO.,LTD Tel: 86-755-27483253 Fax: 86-755-2997-5588	
				X.X	± 0.30				UNIT	mm		
				X.XX	± 0.20	CHECK	SIZE	A4				
A0	2014.04.01	NEW DRAWING		X.XXX	± 0.10	APPROVE			SHEET	1/1	PART NO.	3610301XXG0R1370X
REV	DATE	MODIFICATION DESCRIPTION		Angle	± 3°				DIM	TOL	PROJ.	☐