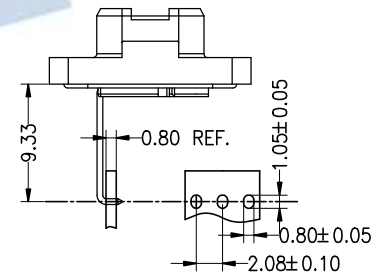
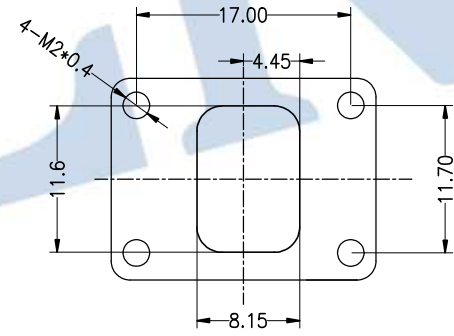
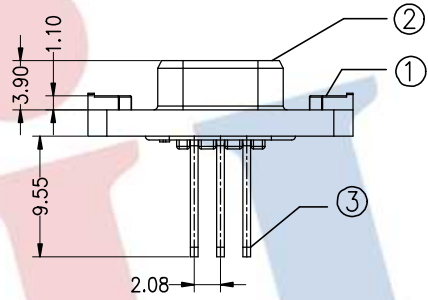
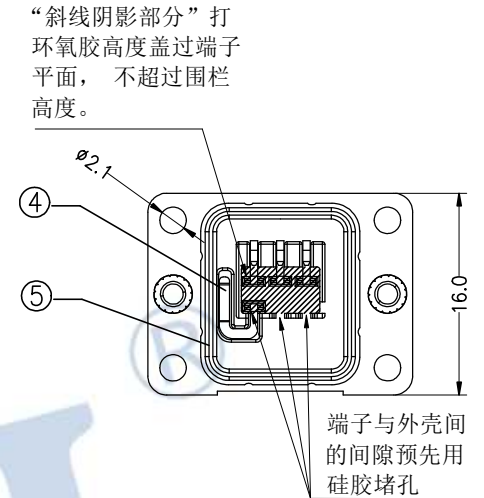
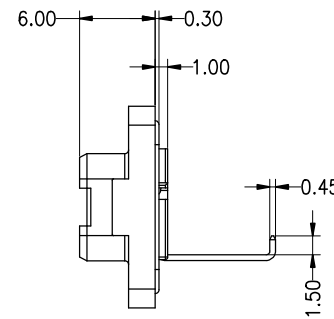
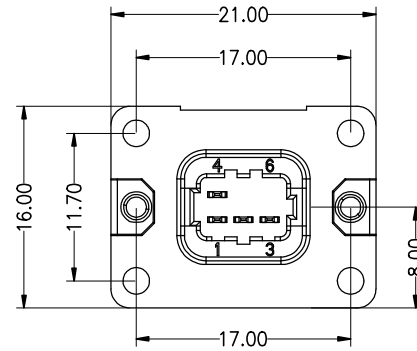


HSF RoHS

Note:
 Current Rating: 1A max.
 Voltage Rating: 100 VAC.
 Insulation Resistance: >1000 MΩ at @500VDC
 Withstand Voltage: 500VAC for 1 minute
 Contact Resistance: 10 mΩ MAX
 Operation Temperature: -40°C to +125°C

Contact Material: Copper Alloy
 Contact Plating: Au or Sn Over Ni
 Insulator Material: Synthetic Resin (UL94V-0) Black



MOUNTING DIMENSIONS

PCB板挂钩开孔参考尺寸

NO	NAME	Q'TY	MATERIAL	DESCRIPTION	REMARKS
1	NUT	2	COPPER ALLOY	NATURAL COLOR	M2*0.4
2	HOUSING	1	Synthetic Resin	BLACK	
3	POWER CONTACT	3	COPPER ALLOY	PLATING GOLD	
4	GROUND CONTACT	1	COPPER ALLOY	PLATING GOLD	
5	SOCKET SEALING	1	SYNTHETIC RUBBER	YELLOW	
6	环氧胶	/	环氧胶	TRANSPARENT	
7	硅胶	/	硅胶	TRANSPARENT	

OPERATION		DRAW	Tim Chu	2022.10.14	SCALE	FIT
X.X	±0.20					
X.XX	±0.15	CHECK	Ou Yang Hui	2022.10.14	UNIT	mm
X.XXX	±0.10					
Angle	±3°	APPROVE	Wang Wei	2022.10.14	SIZE	A4
DIM	TOL					
					SHEET	1/2
					PROJ.	TITLE:

JILN 深圳市锦凌电子有限公司
 SHENZHEN JINLING ELECTRONICS CO.,LTD
 Tel: 86-755-27483253 Fax: 86-755-2997-5992

PART NO. 6353-04BS1AA01

TITLE: 伺服电机动力勾板型底座小6P 无刹车

NO	DATE	MODIFICATION DESCRIPTION	CHANGE
A0	2022.10.14	NEW DRAWING	
REV	DATE	MODIFICATION DESCRIPTION	CHANGE