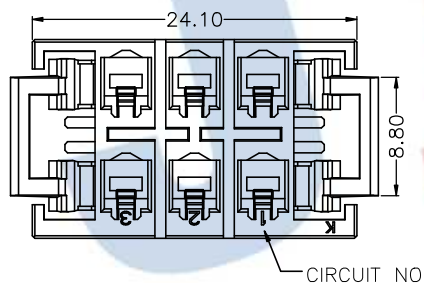
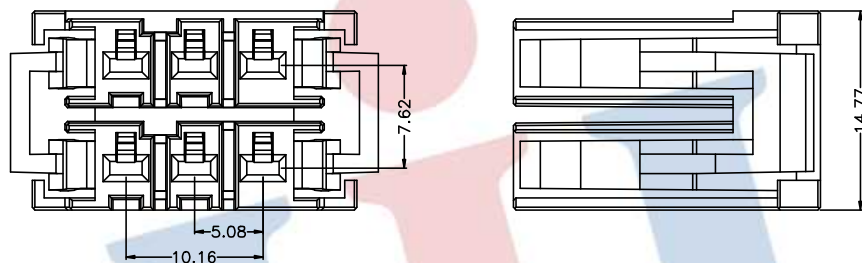
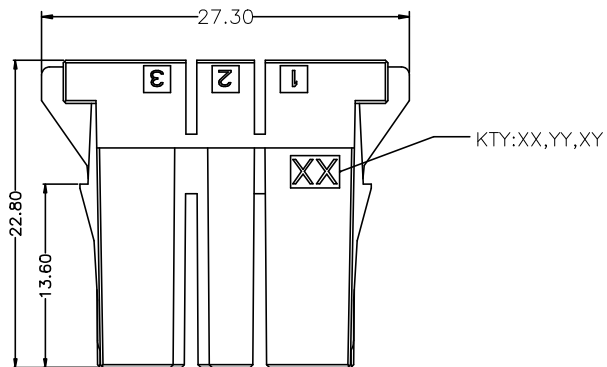


HSF RoHS

- 1 MATERIAL:PBT BLACK UL94V-0.
- 2 WORKING TEMPERATURE:-55°C~ +105°C
- 3 THE SHAPE,SIZE AND POSITION OF THE CHARACTER SHOW THE OUTLIE THEY DON'T SHOW DETAILS



KEYING LOCATION	KEYING	JILN P/N	TE P/N
	XX	A5083-06B01	1-178129-6
	YY	A5083-06B02	2-178129-6
	XY	A5083-06B03	3-178129-6

				OPERATION		DRAW	YangHuiOu	2019.06.20	SCALE	FIT	JILN ® 深圳市锦凌电子有限公司 SHENZHEN JINLING ELECTRONICS CO.,LTD Tel: 86-755-27483253 Fax: 86-755-2997-5588		
				X.X	±0.30				UNIT	mm			
				X.XX	±0.20	CHECK		SIZE	A4	PART NO. A5083-06B0X			
				X.XXX	±0.10		SHEET	1/1					
A0	2019.06.20	NEW DRAWING		Angle	±3°	APPROVE		PROJ.		TITLE: 5.08 PITCH RECEPTACLE HOUSING(KEY:XX,YY,XY) 178129			
REV	DATE	MODIFICATION DESCRIPTION		DIM	TOL								
1	2	3	4	5	6	7	8	9					