

HSF RoHS

SPECIFICATIONS

Rated Current:1AMP
 Contact Resistance:25mΩ Max
 Withstand Voltage:500V
 Insulation Resistance:1000MΩ Min
 Operation Temperature:-55°c to +125°c

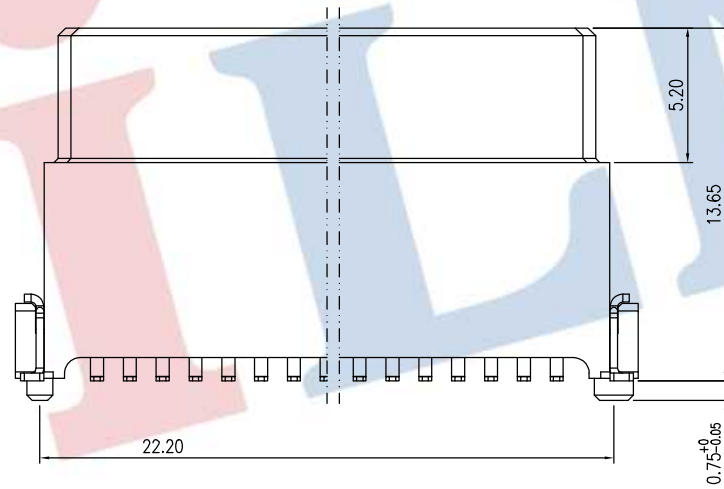
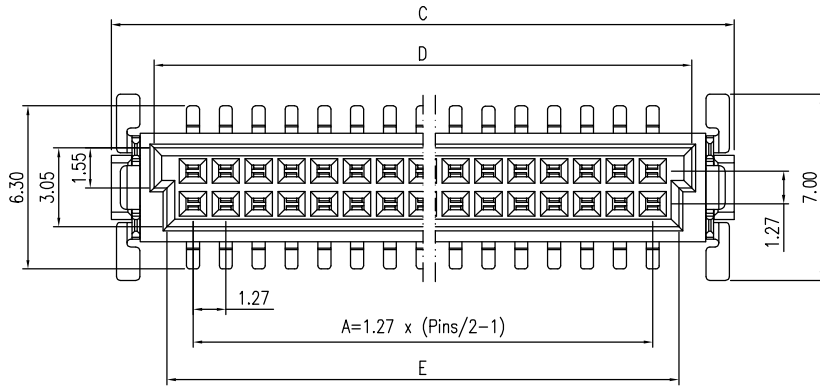
Contact Material:Phosphor Bronze
 Contact Plating:Sn and Au over Ni
 Tail Material:Phosphor Bronze
 Tail Plating: Sn over Ni
 Main Body Material: LCP

100	62.23	66.65	68.58	65.25	64.25
90	55.88	60.30	62.23	58.90	57.90
80	49.53	53.95	55.88	52.55	51.55
70	43.18	47.60	49.53	46.20	45.20
60	36.83	41.25	43.18	39.85	38.85
50	30.48	34.90	36.83	33.50	32.50
40	24.13	28.55	30.48	27.15	26.15
30	17.78	22.20	24.13	20.80	19.80
20	11.43	15.85	17.78	14.45	13.45
10	5.08	9.50	11.43	8.10	7.10
PIN	A	B	C	D	F

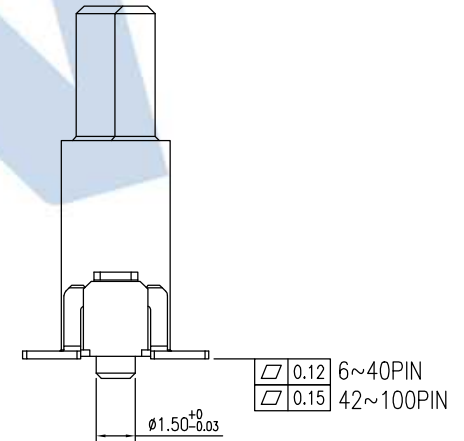
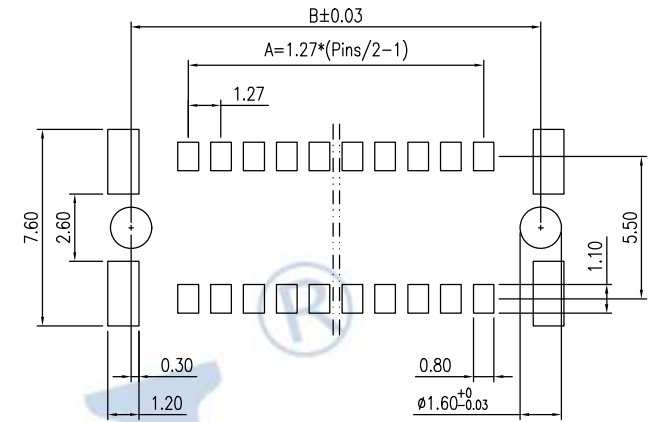
Ordering Information

7100 - F XXX 136 XX F X 0 X

F=Female
 M=Male
 No.of pins
 010=10Pin
 020=20Pin
 ...
 100=100Pin
 Plastic Hight
 136=13.65mm
 Contact Plating
 G0:Gold Flash
 G1:3U" Gold
 G2:5U" Gold
 G3:10U" Gold
 G4:15U" Gold
 G5:30U" Gold
 S0:Gold Flash/Tin
 Insulator Material
 Option
 F=BK-LCP
 Packing
 T:Tube
 R:Reel



Recommended P.C.B Layout(Top Side) (PCB BOARD TOLERANCE±0.05)



REV	DATE	MODIFICATION DESCRIPTION	CHANGE	OPERATION		DRAW	OuYangHui	18.07.06	SCALE	FIT
				DIM	TOL					
A	2018.07.06	NEW DRAWING		X.X	±0.30	CHECK			UNIT	mm
				X.XX	±0.20				SIZE	A4
				X.XXX	±0.10				SHEET	1/1
				Angle	±3°	APPROVE			PROJ.	⌀

JILN® 深圳市锦凌电子有限公司
 SHENZHEN JINLING ELECTRONICS CO.,LTD
 Tel: 86-755-27483253 Fax: 86-755-2997-5588

PART NO. 7100-FXXX136XXFX0X
 TITLE: 1.27mm SMC NPin H13.65 Female