

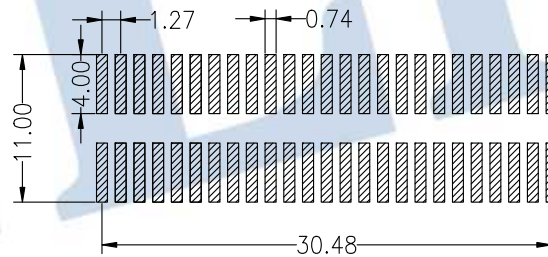
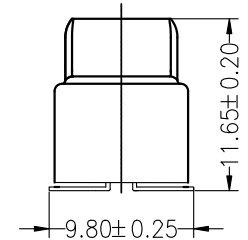
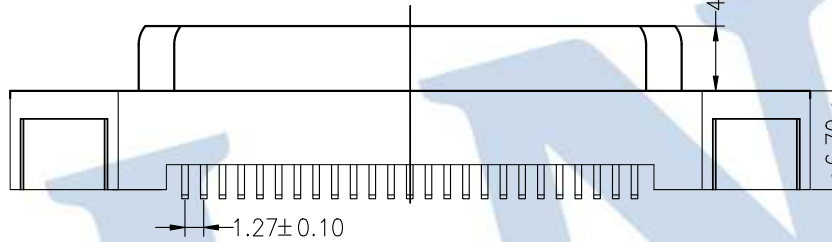
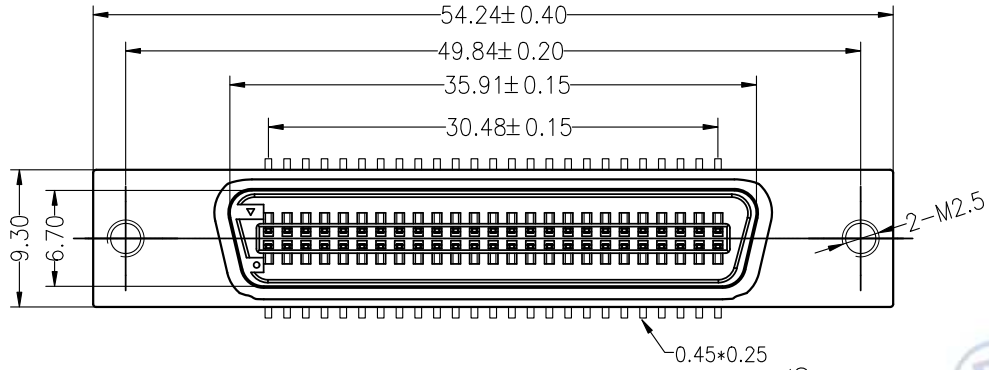
HSF RoHS

MATERIALS

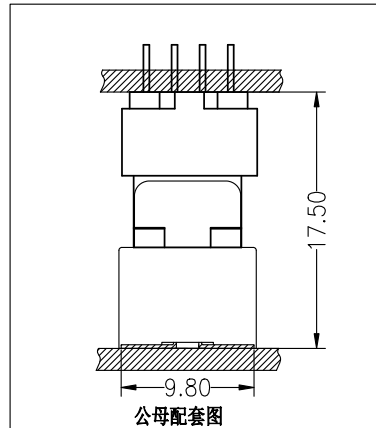
Housing: Plastic Thermoplastic, PA6T, UL94V-0, Black
 Contact Material: Copper Alloy Gold Selective Plated
 Front Shell: Steel, Nickel Plated Over Copper
 RoHS Compliant

ELECTRICAL CHARACTERISTICS

Rated Current: 1.0AMP
 Withstand Voltage: 500V AC/DC
 Insulation Resistance: 500MΩ Min
 Contact Resistance: 35mΩ Max
 Operation Temperature: -55°C to +105°C



Recommended P.C.B Layout (Top Side)
 (PCB BOARD TOLERANCE ± 0.05)



Ordering Information

6300M 050 M D XX M N T 0 X

No. of Pins
50P

Connector Type
M=SMT

Contact Plating
 S0: Gold Flash/Tin
 S1: 3U" Gold /Tin
 S2: 5U" Gold /Tin
 S3: 10U" Gold /Tin
 S4: 15U" Gold /Tin
 S5: 30U" Gold /Tin

OPERATION

X.X	±0.30
X.XX	±0.15
X.XXX	±0.10
Angle	±3°
DIM	TOL

DRAW

WZG

15.11.07

SCALE

FIT

UNIT

mm

SIZE

A4

SHEET

1/1

PROJ.

CHECK

APPROVE

PART NO.

6300M050MDXXMNT0X

TITLE:

SCSI-50PIN 公头SMT

A0	2014.10.23	NEW DRAWING							
REV	DATE	MODIFICATION DESCRIPTION	CHANGE						