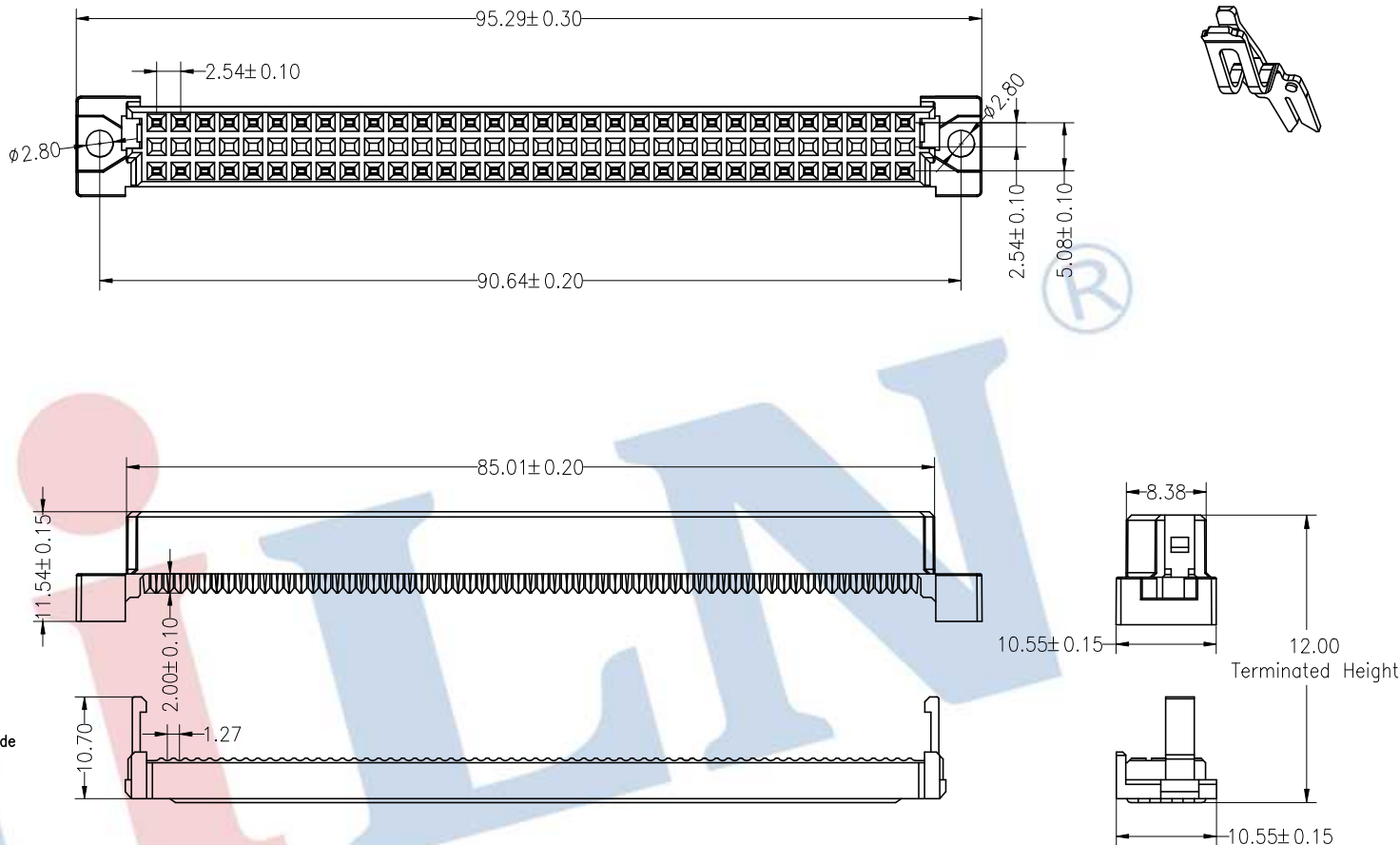


HSF RoHS

SPECIFICATIONS

Rated Current: 3.0AMP
 Contact Resistance: 30mΩ Max
 Withstand Voltage: 1000V AC/DC
 Insulation Resistance: 1000MΩ Min
 Operation Temperature: -40°C to +105°C

Contact Material: Phosphor Bronze
 Contact Plating: Au or Sn Over Ni
 Insulator Material: Polyester (UL94V-0)
 Resistance To Soldering Heat:
 245°C ± 5°C, 10s (PBT insulator)



Ordering Information

3512 3 64 C F I XX P N A X

No. of Pins
64=64Pin

Contact Plating
 NI: NI
 SO: Gold Flash/Ni

Stream Code

OPERATION

DRAW

YiYuSheng

12.04.10

SCALE

FIT

UNIT

mm

SIZE

A4

SHEET

1/1

PROJ.

◆

JILN 深圳市锦凌电子有限公司
 SHENZHEN JINLING ELECTRONICS CO., LTD

Tel: 86-755-27483253 Fax: 86-755-2997-5588

PART NO.

3512364CFIXPNAX

TITLE:

Din41612 364 Female IDC-Type
 中间一排空P

X.X ± 0.30

X.XX ± 0.20

X.XXX ± 0.10

Angle ± 3°

DIM TOL

CHECK

APPROVE

A0

2012.04.10

NEW DRAWING

REV

DATE

MODIFICATION DESCRIPTION

CHANGE

1

2

3

4

5

6

7

8

9