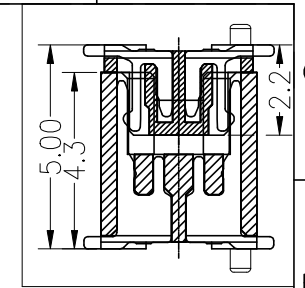
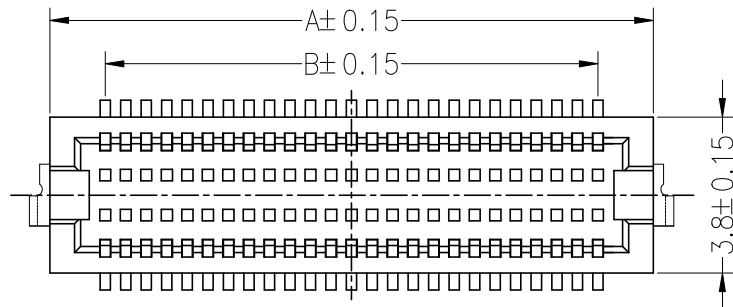


HSF RoHS

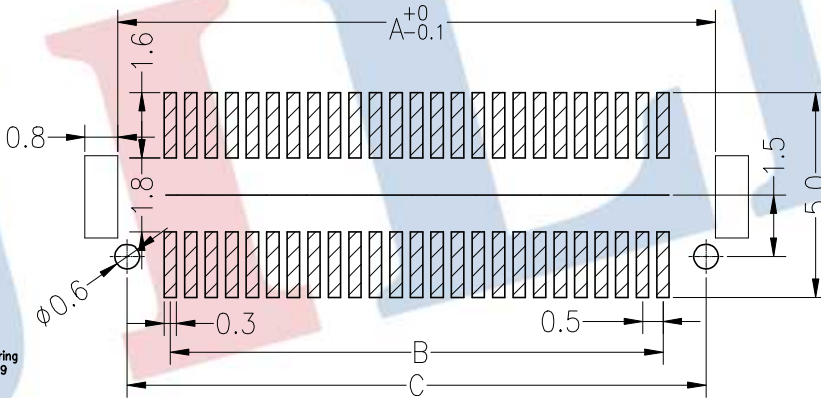
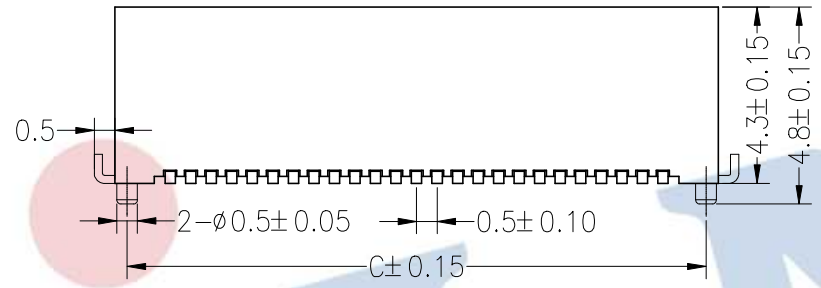
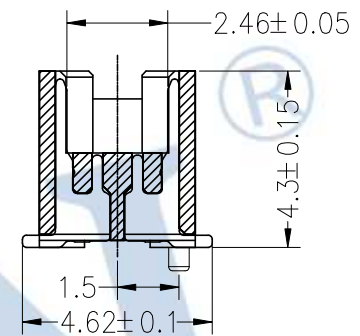
SPECIFICATIONS

PERFORMANCE

Current rating: 0.5A
 Voltage rating: 50V DC/AC RMS
 Insulation Resistance: 500MΩ Min
 Withstanding voltage: 200V AC/1 minute
 Contact Resistance: 30mΩ Max
 Operating Temperature: -40°C to +105°C
 Contact Material: Phosphor Bronze
 Contact Plating: Au or Sn over Ni
 Insulation Material: PA46, UL94V-0
 Soldering temperature: 260°C±5° 5S



ASSEMBLY



Dimension Table			
No Of Pins	Dim A	Dim B	Dim C
20	7.20	4.50	6.60
30	9.70	7.00	9.10
32	10.20	7.50	9.60
36	11.20	8.50	10.60
40	12.20	9.50	11.60
50	14.70	12.00	14.10
60	17.20	14.50	16.60
80	22.20	19.50	21.60
100	27.20	24.50	26.60

Recommended P.C.B Layout(Top Side)
 (PCB BOARD TOLERANCE±0.05)

Ordering Information

3720 F XXX 043 XX X X 0X
 F=Female No. of pins Plastic Height Contact Plating Insulator Packing code string
 M=Male 20~100P 043=4.3mm G0:Gold Flash G1:3I" Gold G2:5U" Gold G3:10U" Gold G4:15U" Gold G5:30U" Gold S0:Gold Flash/Tin
 D=BK-PA46 F=BK-LCP T=Tube R=Reel 01~99

				OPERATION		DRAW	Jelly Feng	22.07.02	SCALE	FIT	JILN ® 深圳市锦凌电子有限公司 SHENZHEN JINLING ELECTRONICS CO.,LTD Tel: 86-755-27483253 Fax: 86-755-2997-5588	
				X.X	±0.30							
				X.XX	±0.20	APPROVE	SIZE	A4	PART NO.	3720FXX043XXXX0X		
				X.XXX	±0.10		PROJ.	SHEET				1/1
A0	2022.07.02	NEW DRAWING		Angle	±3°							
REV	DATE	MODIFICATION DESCRIPTION		DIM	TOL							