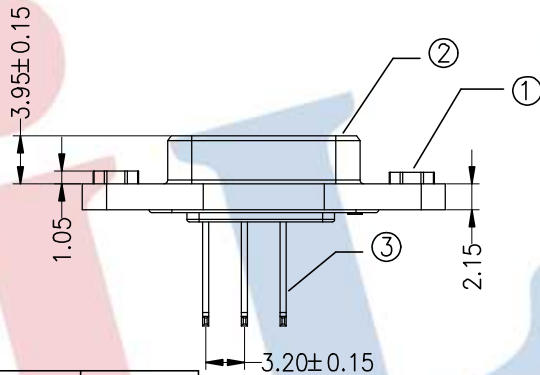
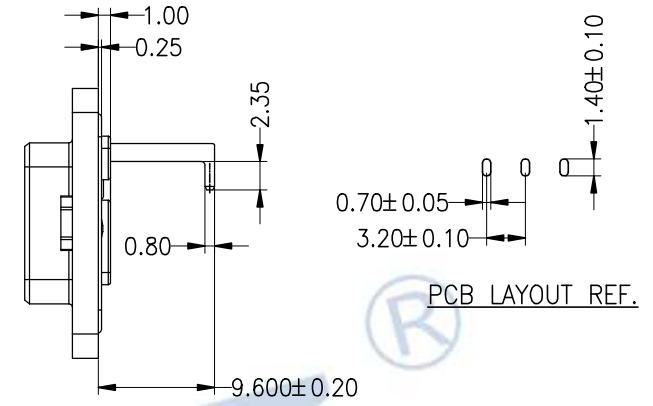
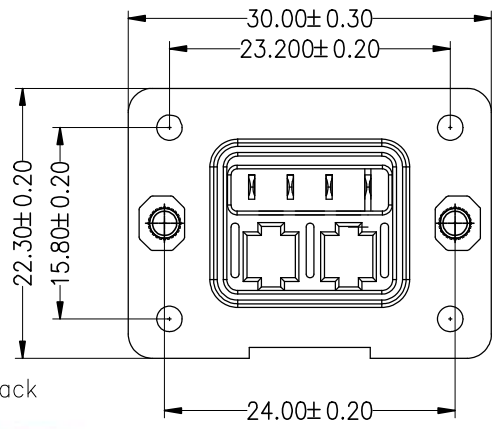


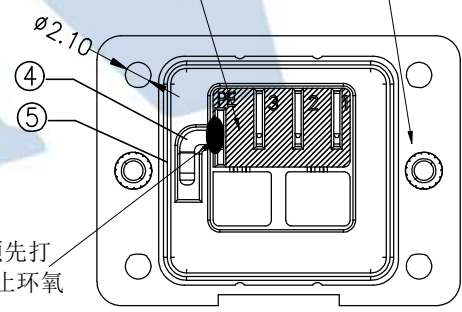
# HSF RoHS

Note:  
 Current Rating: POWER CONTACT 7A max.  
 Voltage Rating: POWER CONTACT 200 VAC.  
 Insulation Resistance: >1000 MΩ at @500VDC  
 Withstand Voltage: 1500VAC for 1 minute  
 Contact Resistance: 10 mΩ MAX  
 Operation Temperature: -40°C to +125°C  
 Solder Temperature: 260°C ± 5° 5S

Contact Material: Copper Alloy  
 Contact Plating: Au or Sn Over Ni  
 Insulator Material: Synthetic Resin (UL94V-0) Black



“斜线阴影部分”打  
 环氧胶高度盖过端子  
 平面，不超过围栏高  
 度。  
 Mol di ng螺母M2.0



NO	NAME	Q'TY	MATERIAL	DESCRIPTION	REMARKS
1	NUT	2	COPPER ALLOY	NATURAL COLOR	M2*0.4
2	HOUSING	1	PA46 UL94V-0	BLACK	
3	POWER CONTACT	3	COPPER ALLOY	PLATING GOLD	
4	GROUND CONTACT	1	COPPER ALLOY	PLATING GOLD	
5	SOCKET SEALING	1	SYNTHETIC RUBBER	YELLOW	
6	环氧胶	/	环氧胶	TRANSPENT	
7	硅胶	/	硅胶	TRANSPENT	

OPERATION		DRAW	YangHuiOu	2022.06.06	SCALE	FIT
X.X	±0.30					
X.XX	±0.20	CHECK			UNIT	mm
X.XXX	±0.10				SIZE	A4
Angle	±3°	APPROVE			SHEET	1/2
DIM	TOL				PROJ.	☯

**JILN**® 深圳市锦凌电子有限公司  
 SHENZHEN JINLING ELECTRONICS CO.,LTD  
 Tel: 86-755-27483253 Fax: 86-755-2997-5992

REV	DATE	MODIFICATION DESCRIPTION	CHANGE
A0	2022.06.06	NEW DRAWING	

PART NO.	6353-04BS1NA01
TITLE:	伺服电机动力勾板型底座 4PIN 防呆型