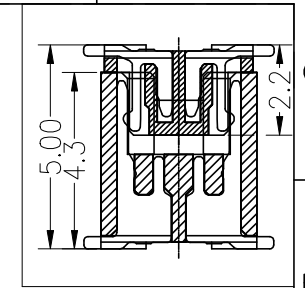
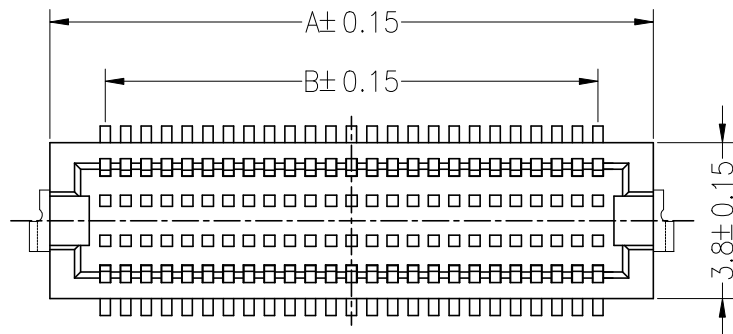


HSF RoHS

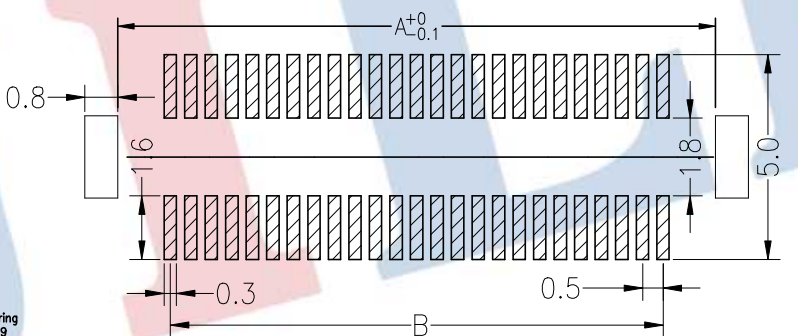
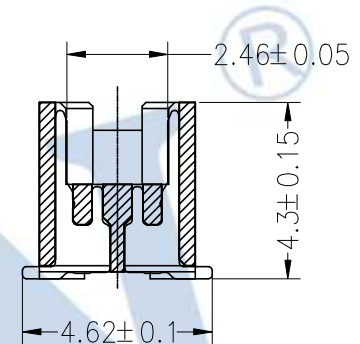
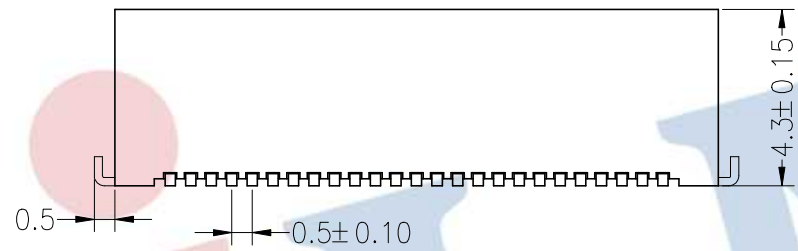
SPECIFICATIONS

PERFORMANCE

Current rating: 0.5A
 Voltage rating: 50V DC/AC RMS
 Insulation Resistance: 500MΩ Min
 Withstanding voltage: 200V AC/1 minute
 Contact Resistance: 30mΩ Max
 Operating Temperature: -40°C to +105°C
 Contact Material: Phosphor Bronze
 Contact Plating: Au or Sn over Ni
 Insulation Material: PA46, UL94V-0
 Soldering temperature: 260°C±5° 5S



ASSEMBLY



Recommended P.C.B Layout(Top Side)
 (PCB BOARD TOLERANCE±0.05)

NO. OF Contacts	Dimensions	
	A	B
20pin	7.20	4.50
30pin	9.70	7.00
32pin	10.20	7.50
36pin	11.20	8.50
40pin	12.20	9.50
50pin	14.70	12.00
60pin	17.20	14.50
80pin	22.20	19.50
100pin	27.20	24.50

Ordering Information

3720 F XXX 043 XX X X 0X

F=Female M=Male No. of pins 20~100P Plastic Height 043=4.3mm Contact G0:Gold G1:31μ Gold G2:51μ Gold G3:101μ Gold G4:151μ Gold G5:301μ Gold S0:Gold Flash/Tin Plating Flash Insulator Material G0=Gold G1=31μ Gold G2=51μ Gold G3=101μ Gold G4=151μ Gold G5=301μ Gold S0=Gold Flash/Tin Packing Code string 01~99

OPERATION		DRAW	Jelly Feng	22.07.02
X.X	±0.30			
X.XX	±0.20	CHECK		
X.XXX	±0.10			
Angle	±3°	APPROVE		
DIM	TOL			

SCALE	FIT
UNIT	mm
SIZE	A4
SHEET	1/1
PROJ.	

JILN® 深圳市锦凌电子有限公司
 SHENZHEN JINLING ELECTRONICS CO.,LTD
 Tel: 86-755-2997-5806/5802 Fax: 86-755-2997-5992

A0	2022.07.02	NEW DRAWING	
REV	DATE	MODIFICATION DESCRIPTION	CHANGE

PART NO.	3720FXXX043XXXX0X
TITLE:	0.5BTB NPin H4.3 Female