

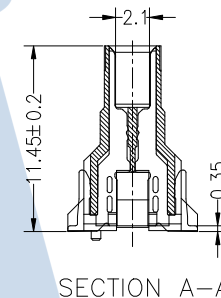
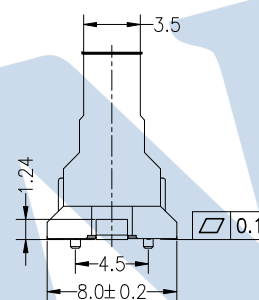
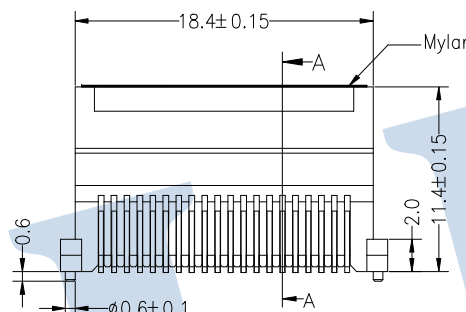
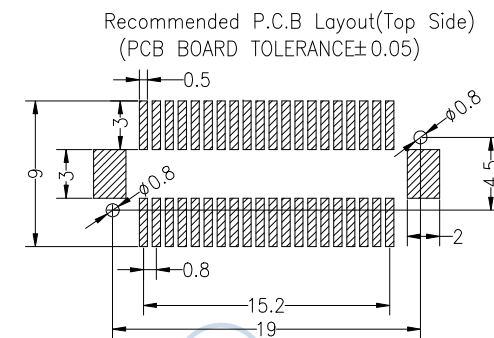
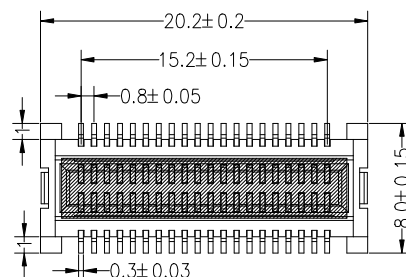
HSF RoHS

**SPECIFICATIONS
PERFORMANCE**

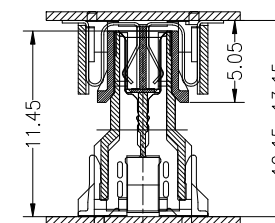
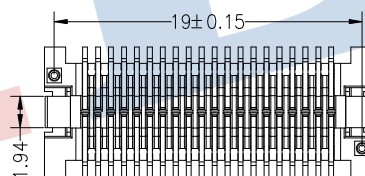
Electical Rating: AC/DC 50V 0.8A
 Contact Resistance: 80mΩ Max
 Insulation Resistance: 500MΩ Min
 Withstang Volt: 500V AC/minute
 Opratng Temperature: -40°C to +125°C

Material

Contact: Phosphor Bronze, Gold-Plated
 Locating Plate: Phosphor bronze, Sn Over Ni
 Housing: LCP UL94V0
 Max. Processing Temp: 260°C ± 5°C 5S



SECTION A-A



Mating Draw (Ref)

Ordering Information

3725 M 040 114 XX F X 0X

F=Female
M=Male

No. of pins
2x20P

Plastic Hight
114=11.4mm

Contact Plating
 G0: Gold Flash
 G1: 3U" Gold
 G2: 5U" Gold
 G3: 10U" Gold
 G4: 15U" Gold
 S0: 1.5U" Gold/Tin
 S1: 3U" Gold/Tin

Insulator
Material
Option
 D=BK-PA46
 E=BK-PA9T
 F=BK-LCP

Packing
 T: Tube
 R: Reel

OPERATION		DRAW	Jelly Feng	22.07.20
X.X	± 0.30			
X.XX	± 0.20	CHECK		
X.XXX	± 0.10			
Angle	± 3°	APPROVE		
DIM	TOL			

SCALE	FIT
UNIT	mm
SIZE	A4
SHEET	1/1
PROJ.	◆

JILN® 深圳市锦凌电子有限公司
 SHENZHEN JINLING ELECTRONICS CO.,LTD
 Tel: 86-755-2997-5806/5802 Fax: 86-755-2997-5992

A

REV	DATE	MODIFICATION DESCRIPTION	CHANGE
A0	2022.07.20	NEW DRAWING	

PART NO.	3725M040114XXFX0X
TITLE:	0.80mm 浮动式BTB 40Pin H11.4 Male

A