

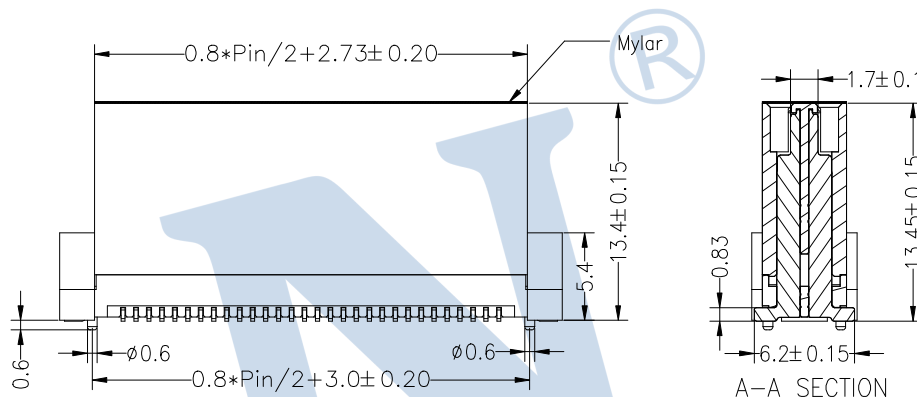
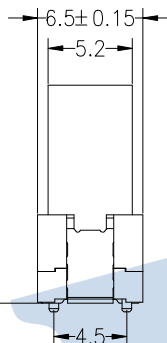
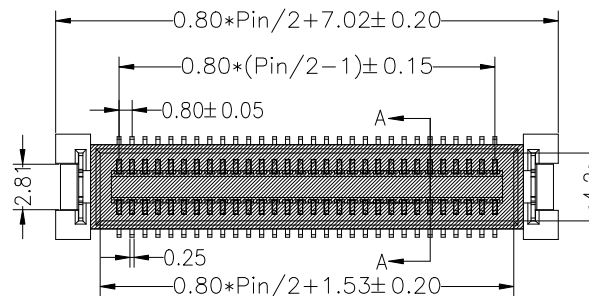
HSF RoHS

**SPECIFICATIONS
PERFORMANCE**

Electical Rating: AC/DC 50V 0.8A
 Contact Resistance: 30mΩ Max
 Insulation Resistance: 500MΩ Min
 Withstang Volt: 500V AC/minute
 Opratng Temperature: -40°C to +125°C

Material

Contact: Phosphor Bronze Gold-Plated
 Locating Plate: Brass Sn Over Ni
 Housing: LCP UL94V0
 Max.Processing Temp: 260°C ± 5°C 5S

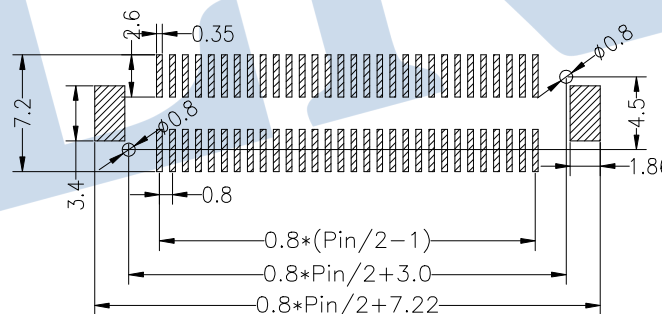


20~60P		0.12
>60P		0.15

Ordering Information

3725 M XXX 134 XX F X OX

- F=Female
M=Male
- No.of pins
20P~100P
- Plastic Hight
134=13.4mm
- Contact Plating
G0:Gold Flash
G1:3U" Gold
G2:5U" Gold
G3:10U" Gold
G4:15U" Gold
S0:1.5U" Gold/Tin
S1:3U" Gold/Tin
- Insulator Material Option
D=BK-PA46
E=BK-PA9T
F=BK-LCP
- Packing
T:Tube
R:Reel



P.C.B Layout

OPERATION

X.X	± 0.30
X.XX	± 0.20
X.XXX	± 0.10
Angle	± 3°
DIM	TOL

DRAW
CHECK
APPROVE

Jelly Feng 22.07.20

SCALE
UNIT
SIZE
SHEET
PROJ.

FIT
mm
A4
1/1

JILN® 深圳市锦凌电子有限公司
 SHENZHEN JINLING ELECTRONICS CO.,LTD
 Tel: 86-755-2997-5806/5802 Fax: 86-755-2997-5992

PART NO. 3725MXXX134XXFX0X
 TITLE: 0.80mm 浮动式BTB NPin H13.4 Male

A

REV	DATE	MODIFICATION DESCRIPTION	CHANGE
A0	2022.07.20	NEW DRAWING	

A