

HSF RoHS

SPECIFICATIONS

Rated(额定参数): 300V,16A
 Dielectric strength(抗电强度): AC1250V/1 Minute
 Insulation Resistance(绝缘电阻):1000MΩ Min
 Contact Resistance(接触电阻):20mΩ Max
 Screw Torque(扭矩): 0.2Nm (1.7Lb.in)
 Wire Range(线径):18~24AWG
 Strip length(剥线长度):5~6mm
 Temp. range(操作温度): -40℃~+105℃
 MAX Soldering(瞬时温度):+250℃,5s
 IEC Standard

Pollution degree	2	2	3
Overvoltage category	II	III	III
Rate impulse voltage(KV)	2.5KV	2.5KV	2.5KV
Rate voltage(V)	130V	130V	130V
Rate current(A)	8A		

Housing Material(塑件): PA66 (UL94 V-0)
 Contact(端子): Brass, Tin plating(黄铜镀锡)
 Wire protector(弹片): Bronze(磷铜), Ni plating(镀镍)
 Screw(螺丝): M2.0, Steel, Zinc plating(钢,镀锌)

PITCH RANGE IN MM				NOMINAL DIMENSION RANGE IN MM				
TO 6	OVER 6 TO 10	OVER 10 TO 24	TO 30	OVER 30 TO 60	OVER 60 TO 100	OVER 100 TO 150	OVER 150	
±0.10	±0.15	±0.25	±0.30	±0.30	±0.50	±0.70	±1.00	

Ordering Information

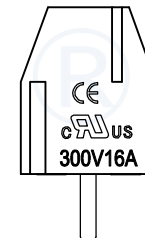
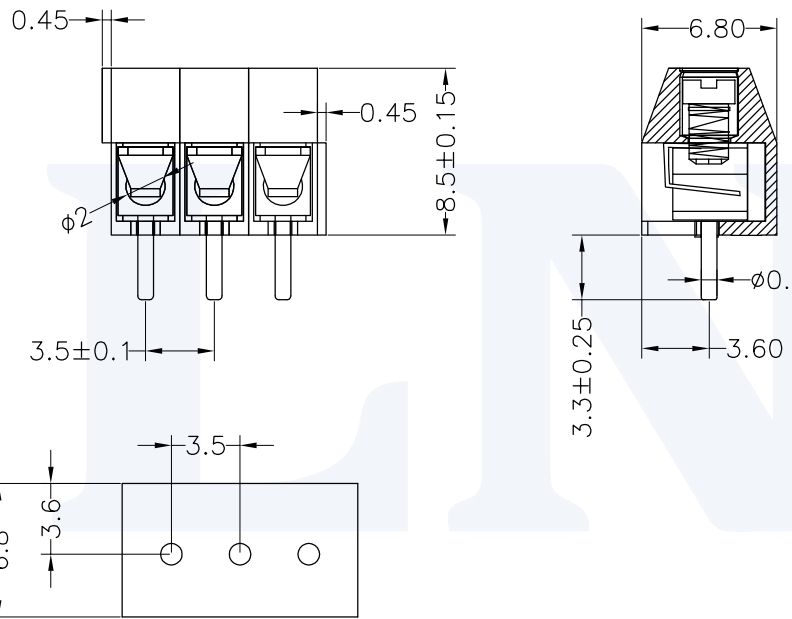
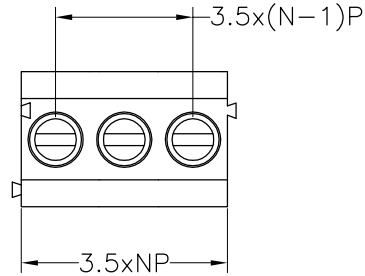
JL 350 - 350 XX G 0 1

Pitch
350=3.50PH

No.of pins
2P,3P,4P~24P

Housing Color
 B=Black
 G=Green
 U=Blue
 R=Red
 W=White
 Y=Yellow
 O=Orange
 E=Grey

Packing
 0=Pe bag
 T=Tube
 A=Tray



Recommended P.C.B Layout(Top Side)

DRAW	SHUANGPING ZHENG	SCALE	FIT	东莞市锦凌电子有限公司 DONGGUAN JINLING ELECTRONIC CO.,LTD	
		UNIT	mm		
CHECK	LICHAO LIU	SIZE	A4		
		SHEET	1/1		
APPROVE	YONGLIANG GAO	PROJ.		PART NO.	JL350-350XXG01
				TITLE:	JL350-3.5-XXP螺钉式/绿色