

REVISION RECORD				
REV	ECN	DESCRIPTION	DRFT	DATE
A0		NEW		21.06.23

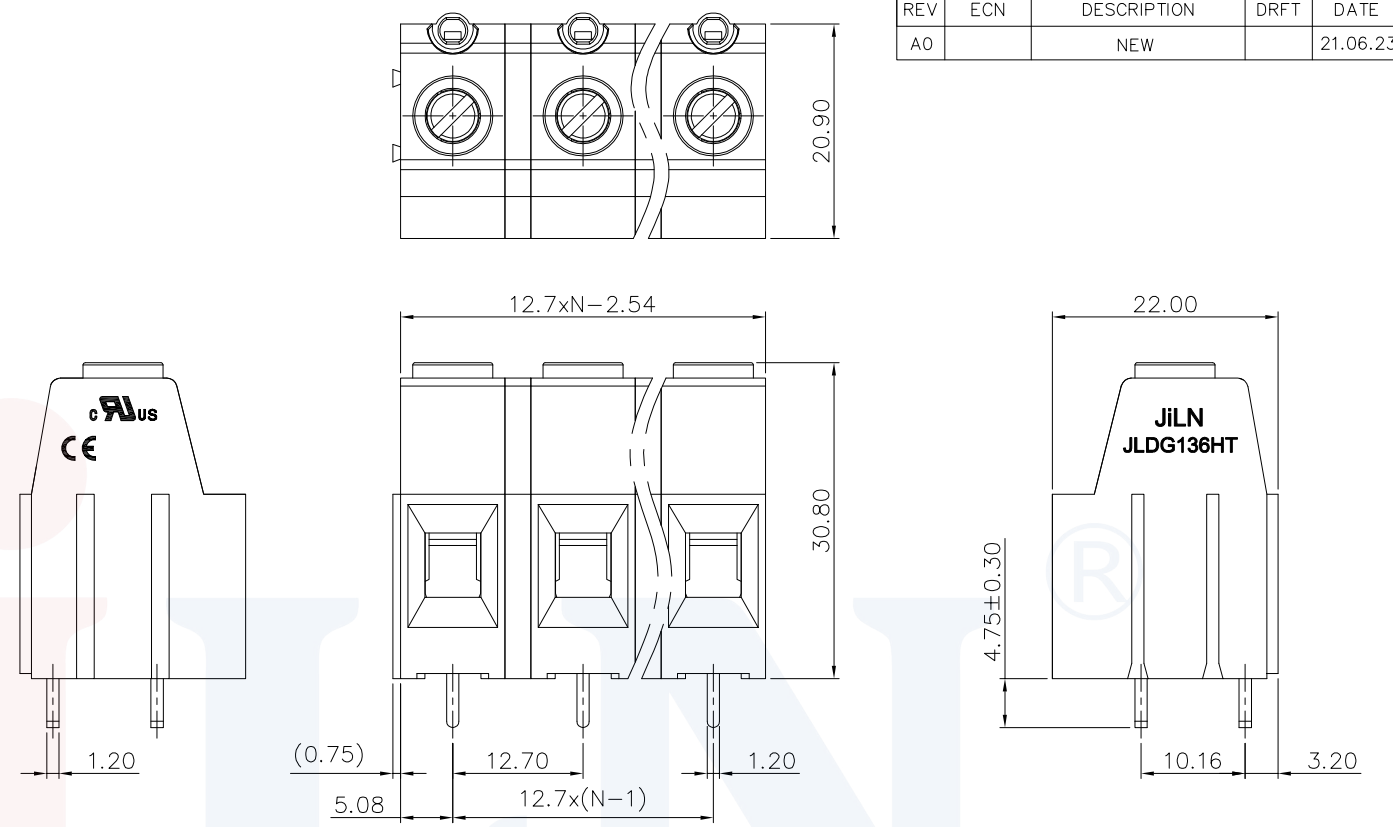
NOTES1:  
 UL Standard  
 1.Rated voltage/current : 600V / 60A  
 2.Torque value : M4 , 10.53Lb.in  
 3.Wire range : 20~6AWG

IEC Standard  
 1.Rated voltage/current : 1000V/65A  
 2.Torque value : M4 , 1.2N·m  
 3.Wire range : 2.5~16mm<sup>2</sup>

NOTES2:  
 1.Dimension shall be interpreted per ASME Y14.5-2009  
 2.Pitch : 12.7mm, Poles : N=02~12P  
 3.Stripping length : 10~11mm  
 4.Withstanding voltage : AC3500V/1Min  
 5.Operating temperature: -40°C~+105°C  
 6.Undimensioned tolerances:

Pitch range in mm		Nominal dimension range in mm				-	∩	∠
TO	Over	TO	Over	TO	Over	0.1/10		
6	6	10	10	30	60			
±0.15	±0.20	±0.30	±0.30	±0.50	±0.70	±1.00	±1.30	±2'

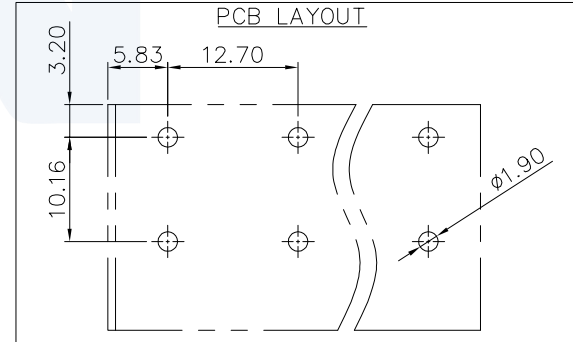
7.RoHS Compliance



### Ordering Information

**JL136HT- 127 XX G 0 1**

Pitch 127=12.7PH  
 No.of pins 2P~12P  
 Housing Color  
 B=Black  
 G=Green  
 U=Blue  
 R=Red  
 W=White  
 Y=Yellow  
 O=Orange  
 E=Grey  
 Packing  
 0=Pe bag  
 T=Tube  
 A=Tray



DRAW	SHUANGPING ZHENG	SCALE	FIT	<b>JILN</b> ® 东莞市锦凌电子有限公司 DONGGUAN JINLING ELECTRONIC CO.,LTD	
CHECK	LICHAD LIU	UNIT	mm		
APPROVE	YONGLIANG GAO	SIZE	A4		
		SHEET	1/1		
		PROJ.		PART NO.	JL136HT-127XXG01
				TITLE:	JL136HT-12.7-XXP螺钉式/绿色/一字螺丝