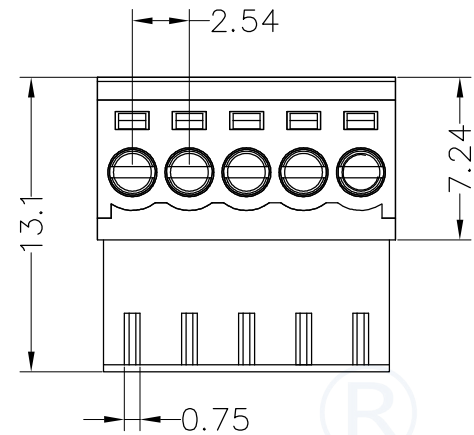
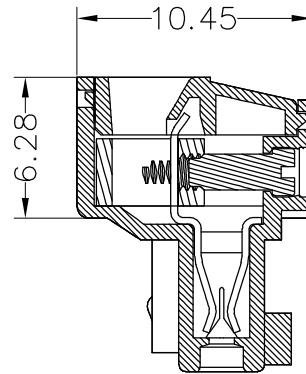


HSF RoHS   

SPECIFICATIONS

Rated(额定参数): 125V,4A
 Dielectric strength(抗电强度): AC1500V/1 Minute
 Insulation Resistance(绝缘电阻):1000MΩ Min
 Contact Resistance(接触电阻):20mΩ Max
 Screw Torque(扭矩): 0.1Nm (0.9Lb.in)
 Wire Range(线径):28~20AWG
 Strip length(剥线长度):5~6mm
 Temp. range(操作温度): -40℃~+105℃
 MAX Soldering(瞬时温度):+250℃,5s

Housing Material(塑件): PA66 (UL94 V-0)
 Contact(端子): Brass, Tin plating(黄铜镀镍)
 Clamp(方块): Brass/Steel(铜/铁), Ni plating(镀镍)
 Screw (螺丝): M2, Steel, Zinc plating(钢,镀锌)

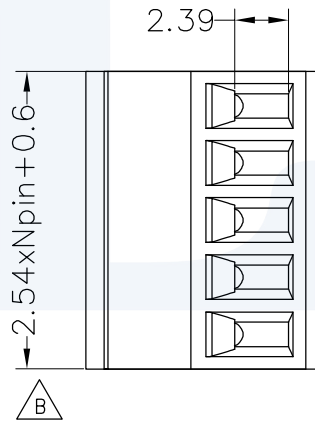


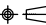
PITCH RANGE IN MM			NOMINAL DIMENSION RANGE IN MM				
TO	OVER	OVER	TO	OVER	OVER	OVER	OVER
6	6 TO 10	10 TO 24	30	30 TO 60	60 TO 100	100 TO 150	150
±0.10	±0.15	±0.25	±0.30	±0.30	±0.50	±0.70	±1.00

Ordering Information

JL15EDGY - 254 XX X X 1

Pitch 254=2.54PH
 No.of pins 2P,3P,4P~24P
 Housing Color
 B=Black
 G=Green
 U=Blue
 R=Red
 W=White
 Y=Yellow
 O=Orange
 E=Grey
 Packing
 0=Pe bag
 T=Tube
 A=Tray



					OPERATION	DRAW	yiyusheng	19.01.11	SCALE	FIT	JILN ® 深圳市锦凌电子有限公司 SHENZHEN JINLING ELECTRONIC CO.,LTD Tel: 86-755-2997-5806/5802 Fax: 86-755-2997-5992	
					X.X ±0.30				UNIT	mm	PART NO.	JL15EDGY-254XXXX1
B	2019.01.11	Change Size			X.XX ±0.20	CHECK			SIZE	A4	TITLE:	2.54 Pitch Female Pluggable Terminal Blocks
A0	2017.03.10	NEW DRAWING			X.XXX ±0.10				SHEET	1/1		
REV	DATE	MODIFICATION DESCRIPTION		CHANGE	Angle ±3°	APPROVE			PROJ.			
					DIM TOL							

1 2 3 4 5 6 7 8 9