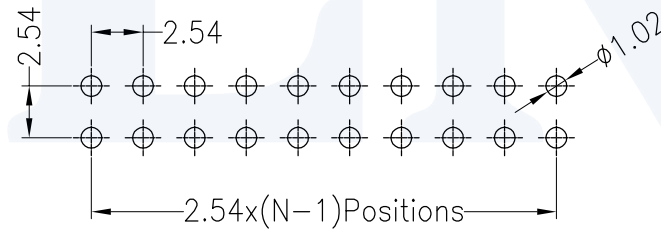
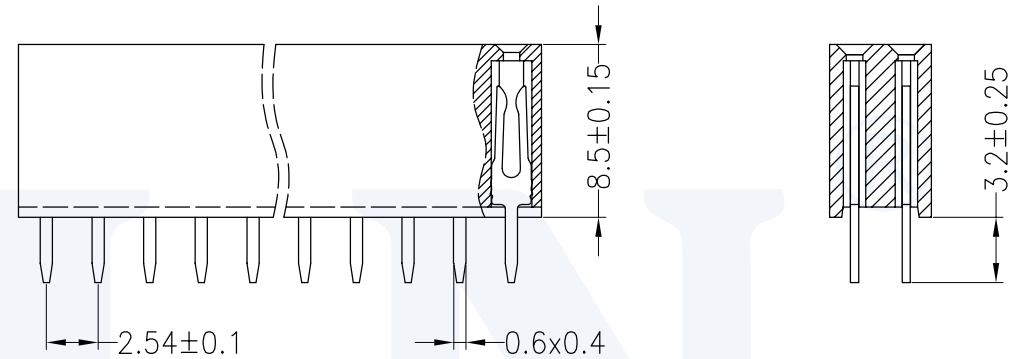
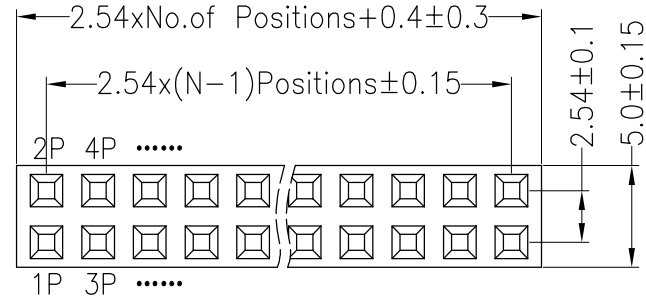




SPECIFICATIONS

Rated Current:3.0AMP
 Contact Resistance:20mΩ Max
 Withstand Voltage:1000V AC/DC
 Insulation Resistance:1000MΩ Min
 Operation Temperature:-40°C to +105°C

Contact Material:Brass
 Contact Plating:Au Or Sn Over Ni
 Insulator Material:Polyester(UL94V-0)
 Standard: PA6T
 Max.Processing Temp: 230°C for 30-60 seconds
 (260°C for 10 seconds)



Recommended P.C.B Layout(Top Side)
 (PCB BOARD TOLERANCE±0.05)

Ordering Information

2285 02 XX X N XX S Y X 0X

No.of Pins Per Row
2~40

Insulator Material Option
 A=BK-PBT
 C=BK-PA6T
 D=BK-PA46
 E=BK-PA9T
 F=BK-LCP

Contact Plating
 G1:Gold Flash
 G3:2U" Gold
 G4:3U" Gold
 G5:5U" Gold
 G6:10U" Gold
 G7:15U" Gold
 S0:Gold Flash/Tin
 SN:Tin

Packing
 O=PE Bag
 A=Tray
 T=Tube

				OPERATION		DRAW	yiyusheng	20.11.30	SCALE	FIT	JILN ® 深圳市锦凌电子有限公司 SHENZHEN JINLING ELECTRONIC CO.,LTD Tel: 86-755-2997-5806/5802 Fax: 86-755-2997-5992	
				X.X	±0.30				UNIT	mm		
				X.XX	±0.20	CHECK			SIZE	A4	PART NO.	228502XXXNXXSYX0X
				X.XXX	±0.10				SHEET	1/1		
A0	2020.11.30	NEW DRAWING		Angle	±3°	APPROVE			PROJ.		TITLE:	2.54PF H8.5mm 2xNpin 180° W5.0mm
REV	DATE	MODIFICATION DESCRIPTION		DIM	TOL							