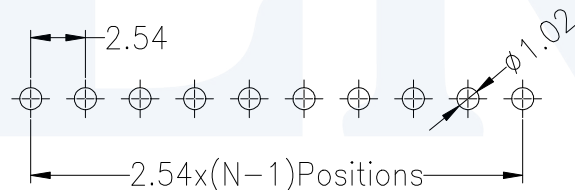
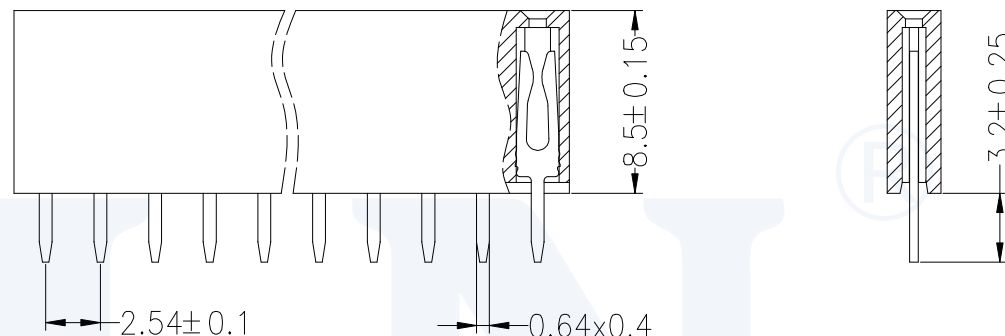
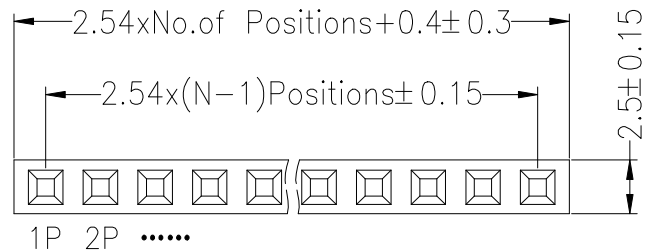




**SPECIFICATIONS**

Rated Current:3.0AMP  
 Contact Resistance:20mΩ Max  
 Withstand Voltage:1000V AC/DC  
 Insulation Resistance:1000MΩ Min  
 Operation Temperature:-40°c to +105°c

Contact Material:Brass  
 Contact Plating:Au or Sn Over Ni  
 Insulator Material:Polyester(UL94V-0)  
 Standard: PA6T  
 Max.Processing Temp: 230°C for 30-60 seconds  
 (260°C for 10 seconds)



Recommended P.C.B Layout(Top Side)  
 (PCB BOARD TOLERANCE±0.05)

**Ordering Information**

**2285 01 XX X N XX S Y X 0X**

- No.of Pins: 2-40P
- Insulator Material Option:
  - A=BK-PBT
  - C=BK-PA6T
  - E=BK-PA9T
  - F=BK-LCP
- Contact Plating:
  - G1:Gold Flash
  - G3:2U" Gold
  - G4:3U" Gold
  - G5:5U" Gold
  - G6:10U" Gold
  - G7:15U" Gold
  - S0:Gold Flash/Tin
  - SN:Tin
- Packing:
  - 0=PE Bag
  - T=Tube
  - A=Tray

				OPERATION		DRAW	Wei Chen	21.11.20	SCALE	FIT	<b>JILN</b> ® 深圳市锦凌电子有限公司 SHENZHEN JINLING ELECTRONIC CO.,LTD Tel: 86-755-2997-5806/5802 Fax: 86-755-2997-5992	
				X.X	±0.30				UNIT	mm		
				X.XX	±0.20	CHECK		SIZE	A4	PART NO. 228501XXXXXXSYX0X		
				X.XXX	±0.10		SHEET	1/1				
A0	2021.11.20	NEW DRAWING		Angle	±3°	APPROVE		PROJ.	◆	TITLE:	2.54PF H8.5mm 1xNpin 180° W2.5mm	
REV	DATE	MODIFICATION DESCRIPTION		DIM	TOL							